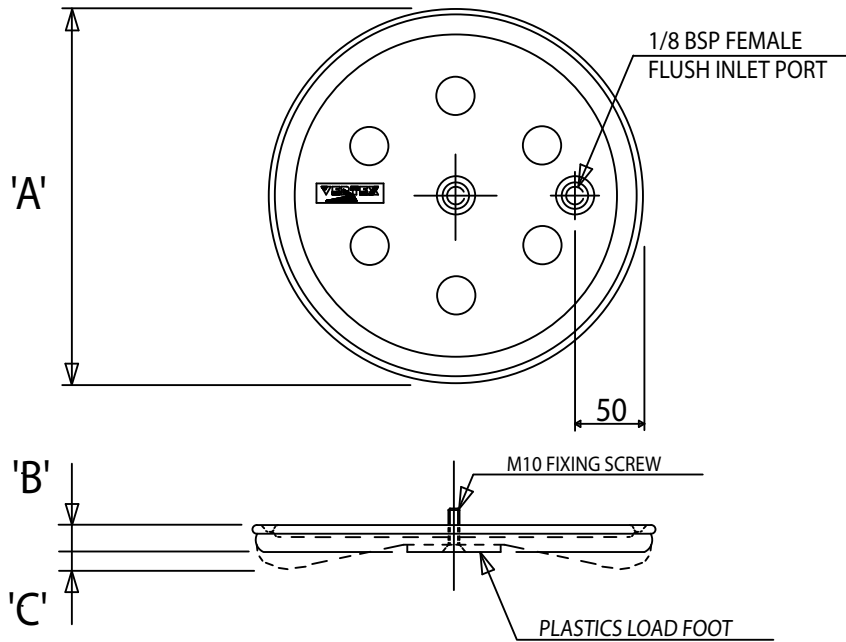




01256 326377 | info@rotairsystems.co.uk | www.rotairsystems.co.uk

VL-type Air Skate - for delicate & lightweight loads



| SIZE DESIGNATION | | 200 | 250 | 300 | 350 |
|--------------------------------|------------------------|-----|-----|-----|-----|
| LOAD CAPACITY PER BEARING - kg | 0.7 bar | 175 | 250 | 400 | 600 |
| 'A' | DIMENSION mm | 200 | 250 | 300 | 350 |
| 'B' | DIMENSION mm | 20 | 20 | 20 | 20 |
| 'C' | APPROX. RISE HEIGHT mm | 7 | 8 | 10 | 12 |

TYPICAL PART NUMBER : VL300

VL Air Skates are intended for permanent installation under light weight equipment.

For rigging moves use heavier duty RS or SA type Air Skate.

VL Bearings should be supported over 80% of their top face in service.