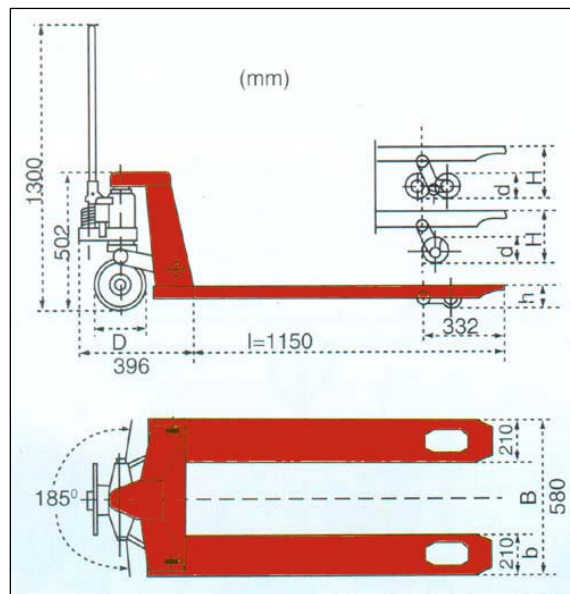


5000 kg Capacity Hand Pallet Truck



**Heavy duty design for moving heavy loads.
Large diameter pump piston for lifting loads with little effort.**

Model	Capacity	Fork height	Fork width	Width over forks	Fork length	Overall size	Net weight
MA50	5000kg	90 – 200mm	210mm	580mm	1150mm	1546x588x1300mm	192kg

Load rollers: $\varnothing 80 \times 68$ mm, tandem steel
Steer wheels: $\varnothing 200 \times 50$ mm, steel
 Choice of steel, nylon and polyurethane wheels.

Special hand pallet trucks with capacities up to 10,000kg and powered pallet trucks with capacities up to 100,000kg are also available, please call for details. Optional galvanised finish.

Examples of special pallet trucks:



5000kg galvanised hand pallet truck



10,000kg hand pallet truck



8,000kg long powered pallet truck



50,000kg powered pallet truck