

LIFTMATE PILOT ADJUSTABLE PALLET TRUCK



LiftMate Pilot pallet truck is a unique product that offers users unequalled versatility. It is designed to address a common problem in today's warehousing environment where a number of different pallet types are used.

Normally, companies would have to purchase pallet trucks of several sizes in order to cope with a variety of pallets. LiftMate Pilot can be changed to a different sized pallet truck by adjusting its fork spread.

In addition to its unique width changing capability the LiftMate Pilot is designed and built to excel in all other areas. Just compare its specification with any other make on the market:

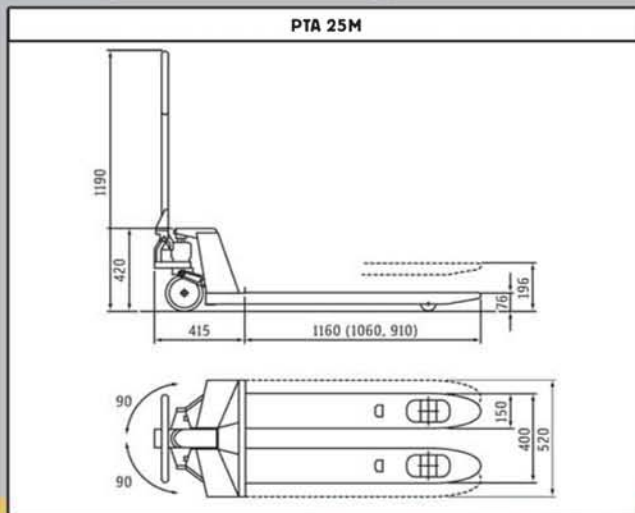
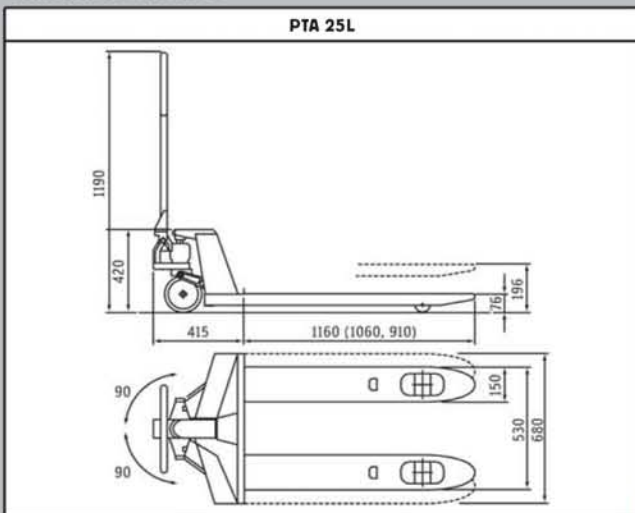
- Hard wearing, easy rolling high quality polyurethane wheels as standard**
- High quality hydraulic pump with controlled lowering speed**
- Ergonomic and comfortable handle coated with "nice-feel" durable plastic**
- Each fork only 150mm wide for easier entry into pallets in confined spaces**
- Lowered height of forks only 76mm for easier entry into bottom boarded or low pallets**
- Raised height of forks full 196mm**
- Robust build for heavy everyday use**
- Range of different lengths**
- Choice of wheels**

LIFTMATE PILOT ADJUSTABLE PALLET TRUCK

One LiftMate Pilot replaces at least two other pallet trucks. Model PTA 25M has an adjustable width over forks from 400 to 520mm. Model PTA 25L has an adjustable width over forks from 530 to 680mm. To change the width, just loosen the front and rear bolts, slide forks to the desired position and tighten the bolts again. The hexagon key necessary for the change is supplied with each truck and is placed in a holder between the hydraulic unit and chassis. The whole operation takes just 2-3 minutes.

Either model is available in three fork lengths: 910, 1060 and 1160mm

Patent pending foot pedal version, gives you the option of using a foot pump to raise the forks. This is useful when space constraints make it difficult to use the standard handle.



TECHNICAL SPECIFICATIONS:

Model	PTA 25L	PTA 25LM	PTA 25LS	PTA 25ML	PTA 25M	PTA 25MS
Capacity	2500kg					
Raised Fork Height	196mm					
Lowered Fork Height	76mm					
Fork Length	1160mm	1060mm	910mm	1160mm	1060mm	910mm
Width Over Forks	530 – 680mm			400 – 520mm		
Fork Width	150mm					
Load Roller Diameter	ø76mm					
Load Roller Material	Polyurethane, Nylon, Rubber or Steel					
Steering Wheel Diameter	ø180mm					
Steering Wheel Materials	Polyurethane, Nylon, Rubber or Steel					